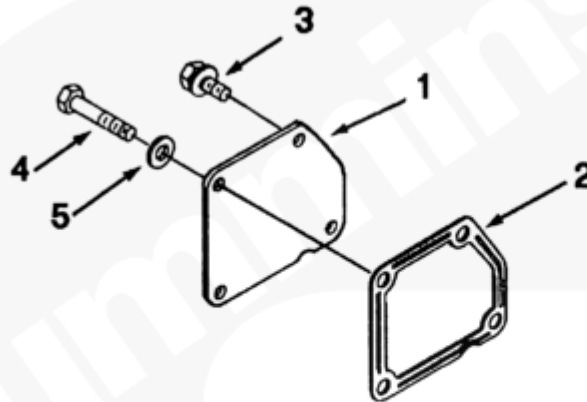




Parts Catalog - Option Detail

Electronic Parts Catalog - Option Detail				
Option	Group	Graphic	Film Card	Date
IC2050-01	10.01.2	ic201ga	II	16-MAY-01
Engines	ISM CM570, ISM CM570/870, ISM CM875, ISM CM876, ISM CM876 E, ISM11 CM876 M103, ISM11 CM876 SN, M11 CELECT, M11 CELECT PLUS, M11 MECHANICAL, QSM11 CM570, QSM11 CM876			

©Cummins Inc



ic201ga

[SMALL](#) | [MEDIUM](#) | [LARGE](#)

Cart	Ref No	Part Number	Part Description	Required	Remarks
View My Cart					
		IC2050-01	Air Intake Connection		
					Air Intake Connection
					Air Inlet Connection
					Loc: Side "Low Profile"
					Air Inlet Connection
					Supplier: Customer
					Engine Aspiration: Charged

We use cookies on this site to enhance your experience.



By clicking any link on this page, you give consent for us to set cookies. For more information, see our [Privacy and Legal page](#).

<input type="checkbox"/>	1	3028540	Cover Plate	1	
<input type="checkbox"/>	2	3818846	Connection Gasket	1	
<input type="checkbox"/>	3	3818060	Captive Washer Cap Screw	2	M10 x 1.50 x 25
<input type="checkbox"/>	4	3081346	Hexagon Head Cap Screw	2	M10 x 1.50 x 70
<input type="checkbox"/>	5	3009330	Plain Washer	2	M10.

© 2019 Cummins Inc., Box 3005, Columbus, IN 47202-3005 U.S.A.
 Terms of Use and Disclaimers | Recommended System Requirements
 Need Assistance? Please click on the Contact Us button in the top right corner of any page.

We use cookies on this site to enhance your experience.

x

By clicking any link on this page, you give consent for us to set cookies. For more information, see our [Privacy and Legal page](#).